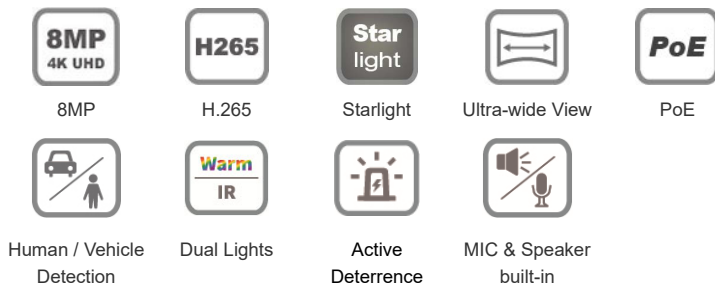


# DGM8707DGAT

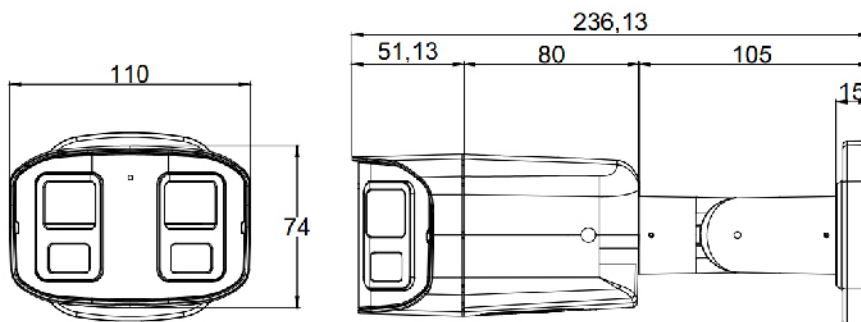


## AI-based 8MP H.265 Dual Sensor Bullet IP Camera

### FEATURES

- **Starlight visibility** to offer clear & color images even at night
- **AI-based human / vehicle detection** supported to avoid false detection alarms
- **Dual sensors** to offer panoramic view to cover a wider area with a single camera
- **Dual lights** (IR / warm light LED) mechanism to smartly switch images from B/W to color even at night when any motion is detected
- **Siren and warm lights triggered** automatically when intruders are detected for active deterrence
- **ONVIF** standard supported to simplify system integration
- **POE (Power-over-Ethernet)** support to eliminate the use of power cables and reduce installation costs
- **Microphone & speaker built-in** for audio transmission
- **DWDR** to increase image recognizability in overexposure and dark areas
- **Remote Surveillance**  
**Compatible** with **Internet Explorer 6** and above, **Microsoft Edge** & **Google Chrome**

### DIMENSIONS



## ○ SPECIFICATIONS

### ■ Device

Image Sensor	2 units of 1/2.7" CMOS	
Max. Resolution	4096 x 1944 (19:9)	
Lens	2 units of f2.8mm / F1.6	
Viewing Angle	180°	
Min Illumination	0.001 Lux (LED off), 0 Lux (LED on)	
Shutter Speed	AUTO, 1/25s ~ 1/100000s	
LED	3 IR & 2 warm LED units	
Effective Distance	Up to 30 meters	
Day / Night	YES	
WDR Mode	DWDR	
RTC (real-time clock)	YES	
MicroSD Card Slot	Optional up to 256GB	

### ■ Video

Compression	H265 / H.264	
Video Resolution	Main Stream	8MP (4096x1944P)
	Sub Stream	1024x480 / 768x360
Frame Rate	4K (8MP) @ 20FPS	
Video Profile	High profile / Main profile / Base profile	
Multiple Video Streaming	2 streams	
Bitrate Control	512Kbps - 12Mbps, VBR/CBR	
Image Enhancement	DWDR / BLC / HLC / 2D DNR / 3D DNR / AWB / MWB / AGC	
Day / Night Switch	Auto / Color / (B/W) / Timing	
Forced Anti-flicker	YES	
Defog	YES	
White Balance	Auto / Manual	
Image Orientation	Rotate / Mirror	
Privacy Mask	YES	
Text Overlay	YES	
OSD Title	Location / font size / text configurable; text input (English & Chinese characters) and image upload (BMP) supported	

### ■ Audio

Microphone built-in	YES
Speaker built-in	YES
Encoding	G.711-u / G.711-a
Audio Adjustment	YES

### ■ Alarm & Event

Detection Mode	Motion / Human / Vehicle Detection
Detection Schedule	YES
Motion Detection Area	1x1, 2x2, 3x2, 3x3, 4x3, 4x4, 8x8, 16x16, 22x18
Detection Alert	Audio alert with customized mp3 audio file(s)

\*The specifications are subject to change without notice.

**○ SPECIFICATIONS (CONTINUED)**

<b>■ Network</b>	
LAN Port	RJ45 connector x 1 / 4KV lightning-proof
LAN Speed	100Mbps Based-T Ethernet
Supported Protocols	HTTP / RTSP / FTP / SMTP / DHCP / NTP / NFS / RTMP
ONVIF Compatible	Onvif 17.06 compatible
Number of Online Users	6
Remote Access	Internet Explorer 6 and above (recommended), Microsoft Edge & Google Chrome
<b>■ General</b>	
Web Interface Language	English, Traditional Chinese, Simplified Chinese, Russian, German, Italian, Turkish, Korean
Operating Temperature	-30°C ~ 60°C
Operating Humidity	10%-90%RH
POE	IEEE 802.3af
Power Source (±10%)	PoE / DC12V
Power Consumption (±10%)	< 8W
Net Weight (g)	708
Casing	IP67
Optional Bracket / Junction Box	AVA145-WHKT
Minimum Web Browsing Requirements	<ul style="list-style-type: none"> <li>• Intel core i3 or higher, or equivalent AMD</li> <li>• 2GB RAM</li> <li>• AGP graphics card, Direct Draw, 32MB RAM</li> <li>• Windows 10, Windows 8, Windows 7, DirectX 9.0 or later</li> <li>• Internet Explorer 6 and above (recommended), Microsoft Edge &amp; Google Chrome</li> </ul>

\*The specifications are subject to change without notice.